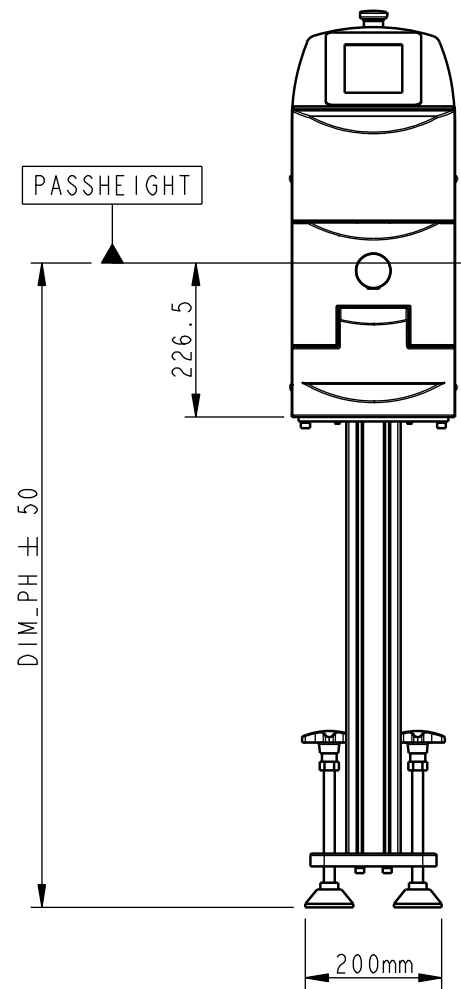
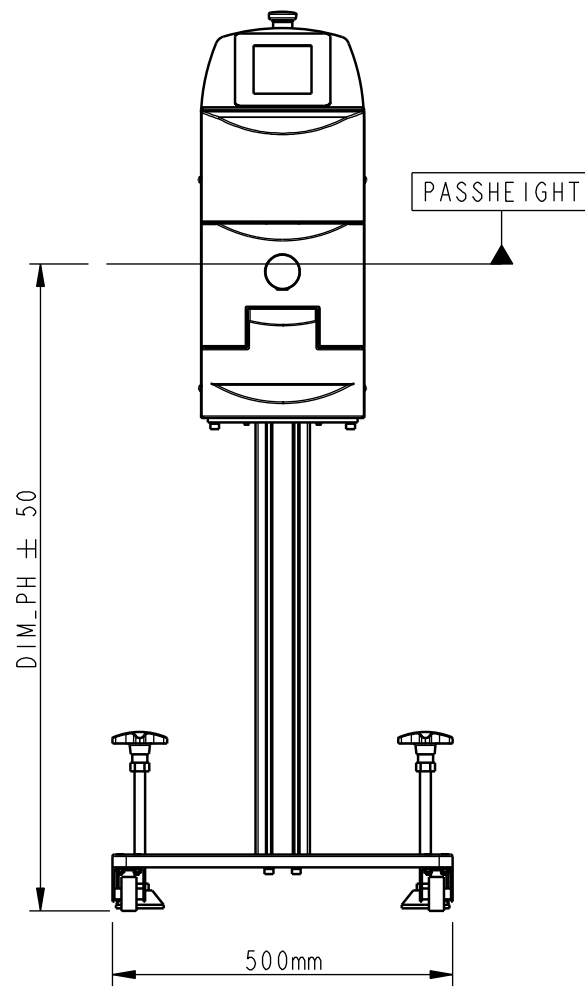


DESCRIPTION OF CHANGE	REV
UPDATED TO ADD SLIDE EXTENSION DIMENSIONS	05

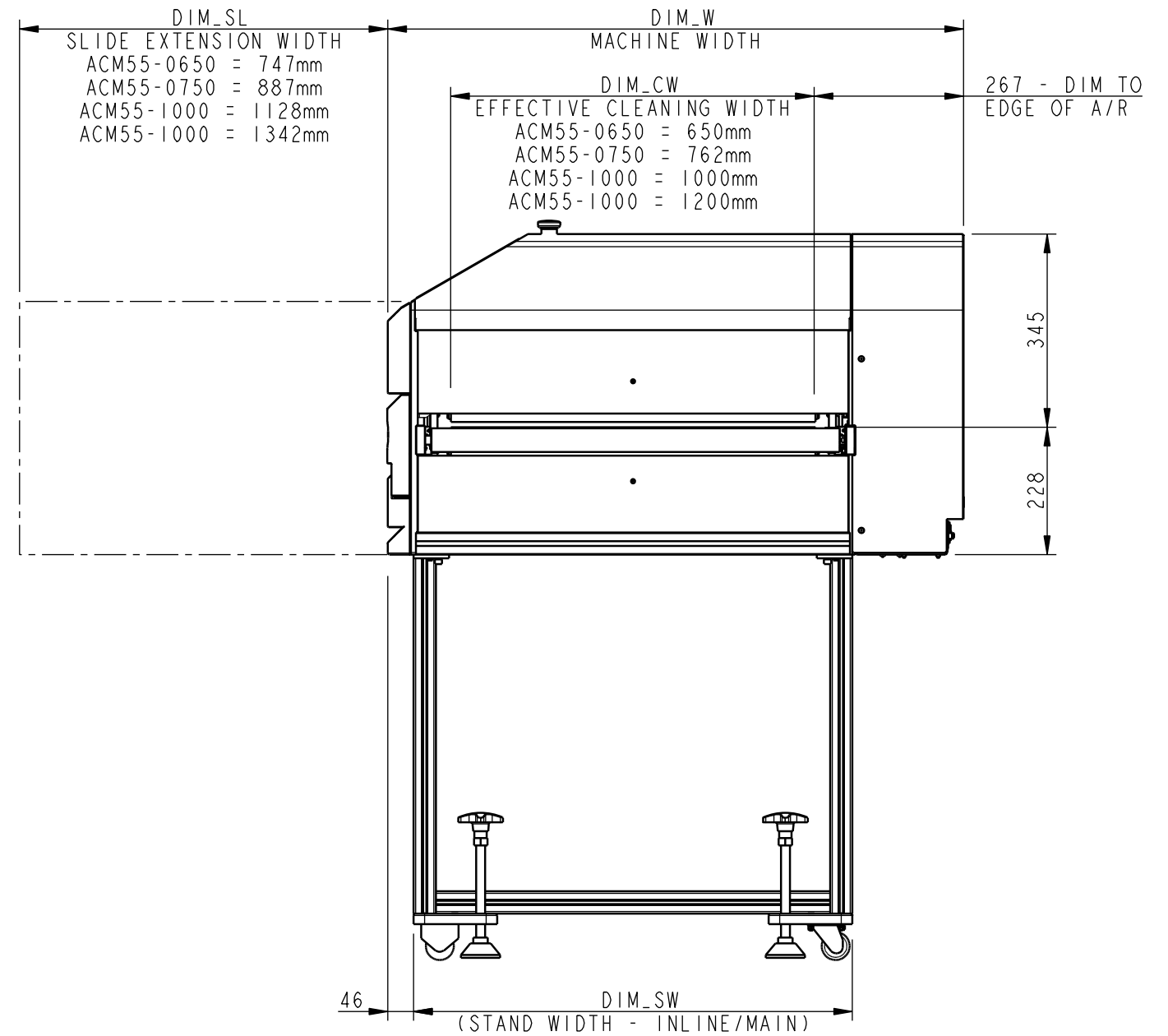
PART No. Pi68100 Rev. 05



**INLINE STAND
(NO WHEELS FITTED)**



**MAIN STAND
(C/W WHEELS)**



SHEET CLEANER	DIM_PH +/- 50(mm)	DIM_CW (mm)	DIM_W (MACHINE WIDTH)	DIM_SW STAND WIDTH
650	900 or 1000	622	1030.5	785
750	900 or 1000	762	1170.5	925
1000	900 or 1000	1000	1405.5	1163
1200	900 or 1000	1200	1627.5	1382

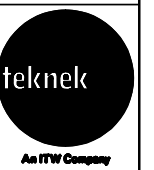
NOTES:

05	02.10.15	4435r02	BT	STD DESIGN SPEC. PI5487
04	10.11.14	4280r09	BT	DIMENSIONAL TOLERANCES UNLESS OTHERWISE STATED: DIMENSION X. ± .50mm ANGLES X. ± 2.0° X.X ± .25mm X.X ± 1.0° X.XX ± .10mm X.XX ± 0.5°
03	17.09.14	4280r03	GT	
02	27.08.14	4280r02	GT	ENGR: C.SCOTT
01	01.07.14	4280r01	CJS	DATE: 01.07.14
REV	DATE	ECN No.	ENG.	

© 2014 TEKNEK

ALL PRODUCTS DESIGNED, DEVELOPED AND MANUFACTURED BY TEKNEK LIMITED ARE PROTECTED BY COPYRIGHT, UNREGISTERED DESIGN RIGHT AND, WHERE APPROPRIATE, PATENT OR REGISTERED DESIGN. NO ELEMENT OF ANY PRODUCT SHOULD BE COPIED WITHOUT THE PRIOR WRITTEN PERMISSION OF TEKNEK LIMITED.

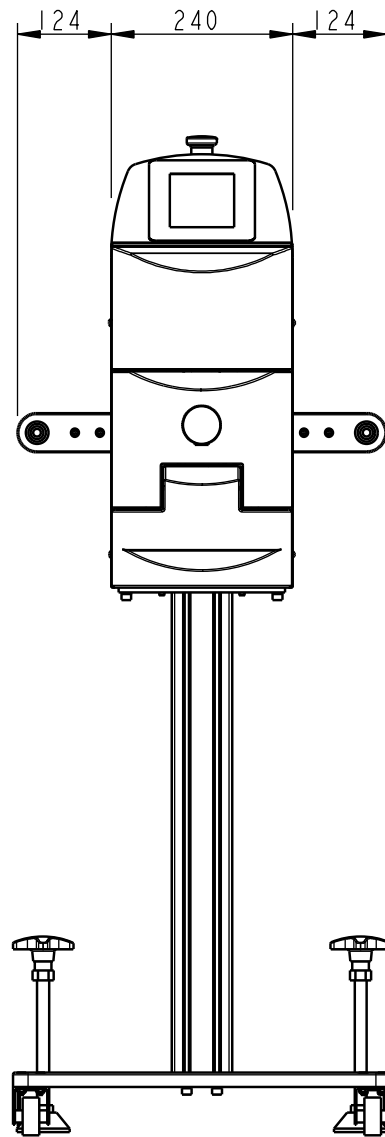
TEKNEK LIMITED
River Drive, Inchinnan
PA4 9RT, Scotland, United Kingdom
Telephone: +44 (0) 141 568 8100
E-mail: teknek@teknek.com
Web: - http://www.teknek.com



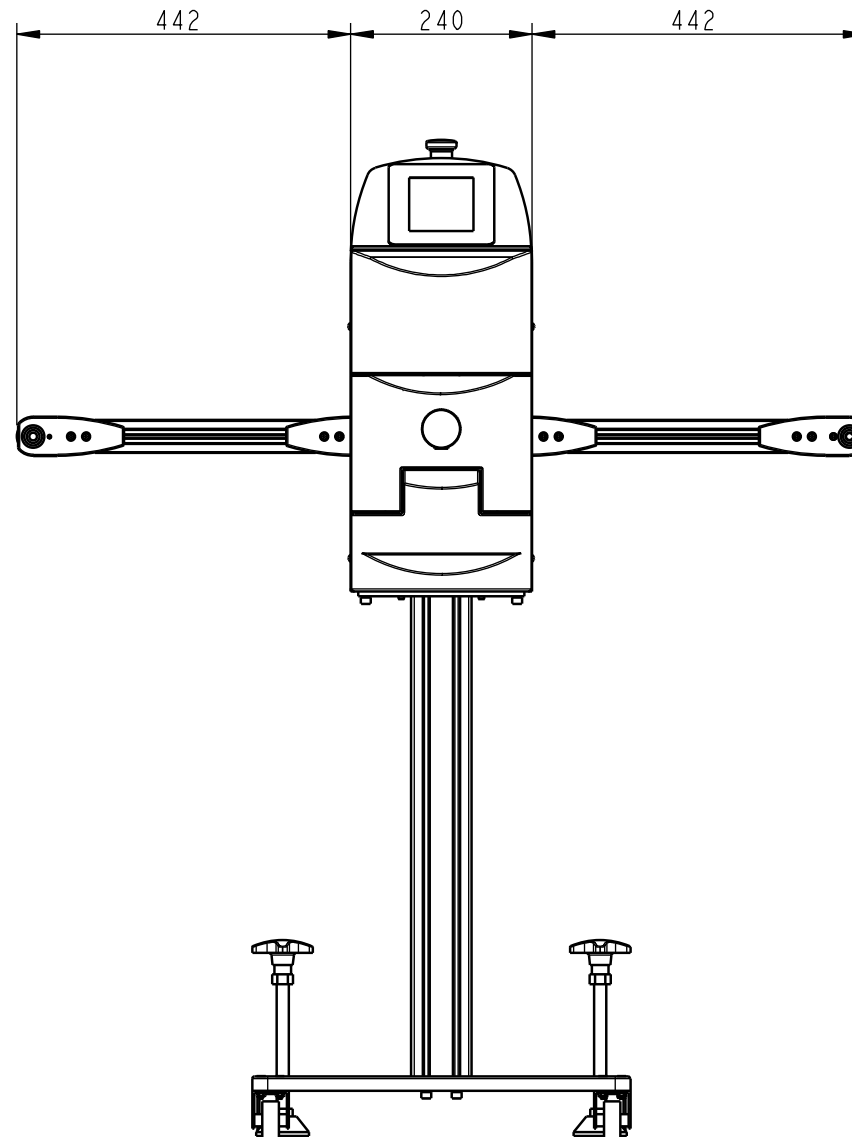
MATERIAL:	PROJECT: ACM55
FINISH:	TITLE: DIMENSIONAL LAYOUT
SCALE: 3:100	SHEET 1 OF 7
DRG SIZE: A3	PART No. Pi68100
	Rev. 05

DESCRIPTION OF CHANGE	REV
SEE SHEET - 1	05

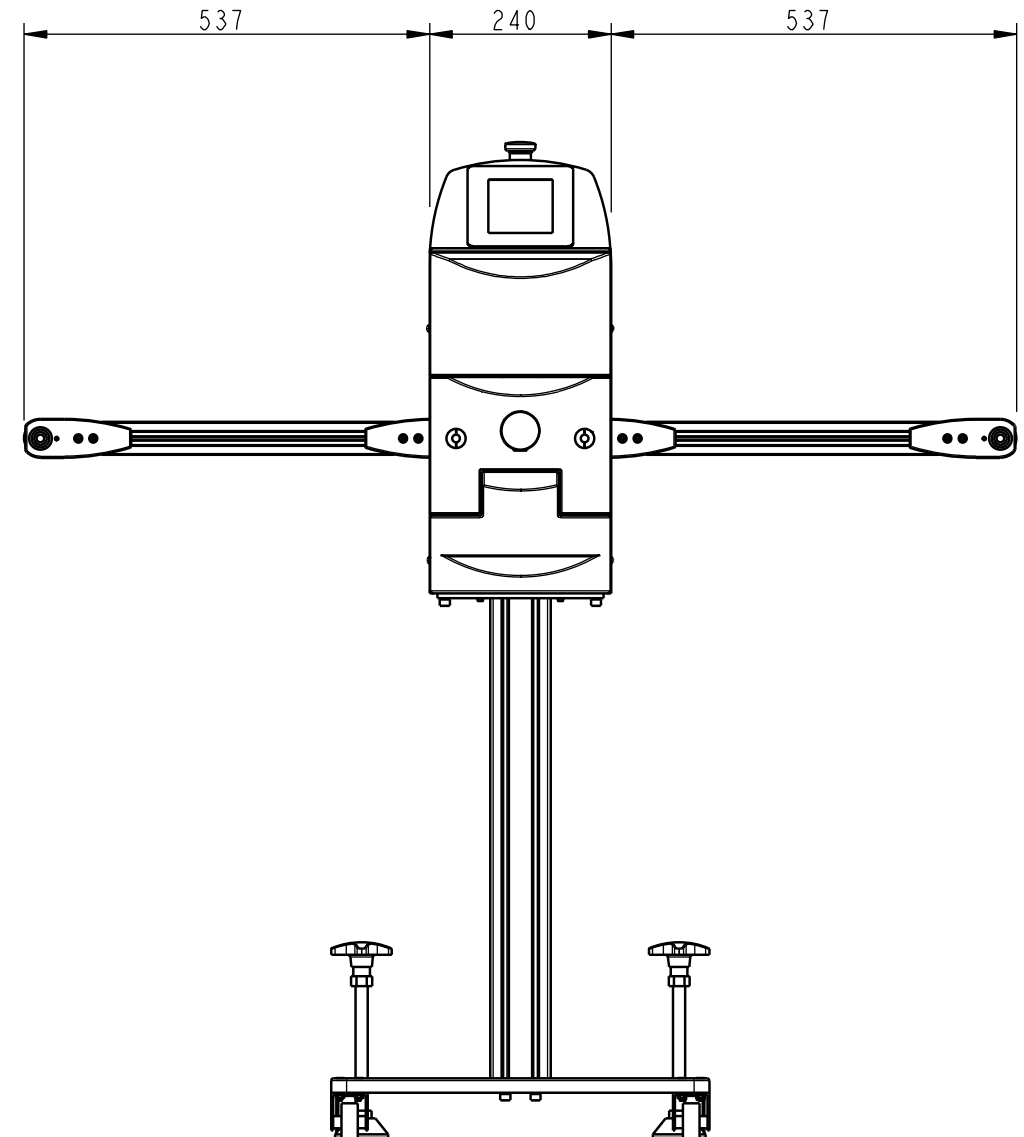
PART No. Pi68100 Rev. 05



ACM55 - STUBBY PROJECTION
TAPE CONVEYORS



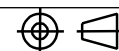
ACM55 - STANDARD PROJECTION
TAPE CONVEYORS



ACM55 - 545 PROJECTION
TAPE CONVEYORS

NOTES:

05	02.10.15	4435r02	BT	STD DESIGN SPEC. PI5487
04	10.11.14	4280r09	BT	DIMENSIONAL TOLERANCES UNLESS OTHERWISE STATED: DIMENSION X. ± .50mm ANGLES X. ± 2.0° X.X ± .25mm X.X ± 1.0° X.XX ± .10mm X.XX ± 0.5°
03	17.09.14	4280r03	GT	
02	27.08.14	4280r02	GT	
01	01.07.14	4280r01	CJS	DATE: 01.07.14
REV	DATE	ECN No.	ENG.	



© 2014 TEKNEK ®

ALL PRODUCTS DESIGNED, DEVELOPED AND MANUFACTURED BY TEKNEK LIMITED ARE PROTECTED BY COPYRIGHT, UNREGISTERED DESIGN RIGHT AND, WHERE APPROPRIATE, PATENT OR REGISTERED DESIGN. NO ELEMENT OF ANY PRODUCT SHOULD BE COPIED WITHOUT THE PRIOR WRITTEN PERMISSION OF TEKNEK LIMITED.

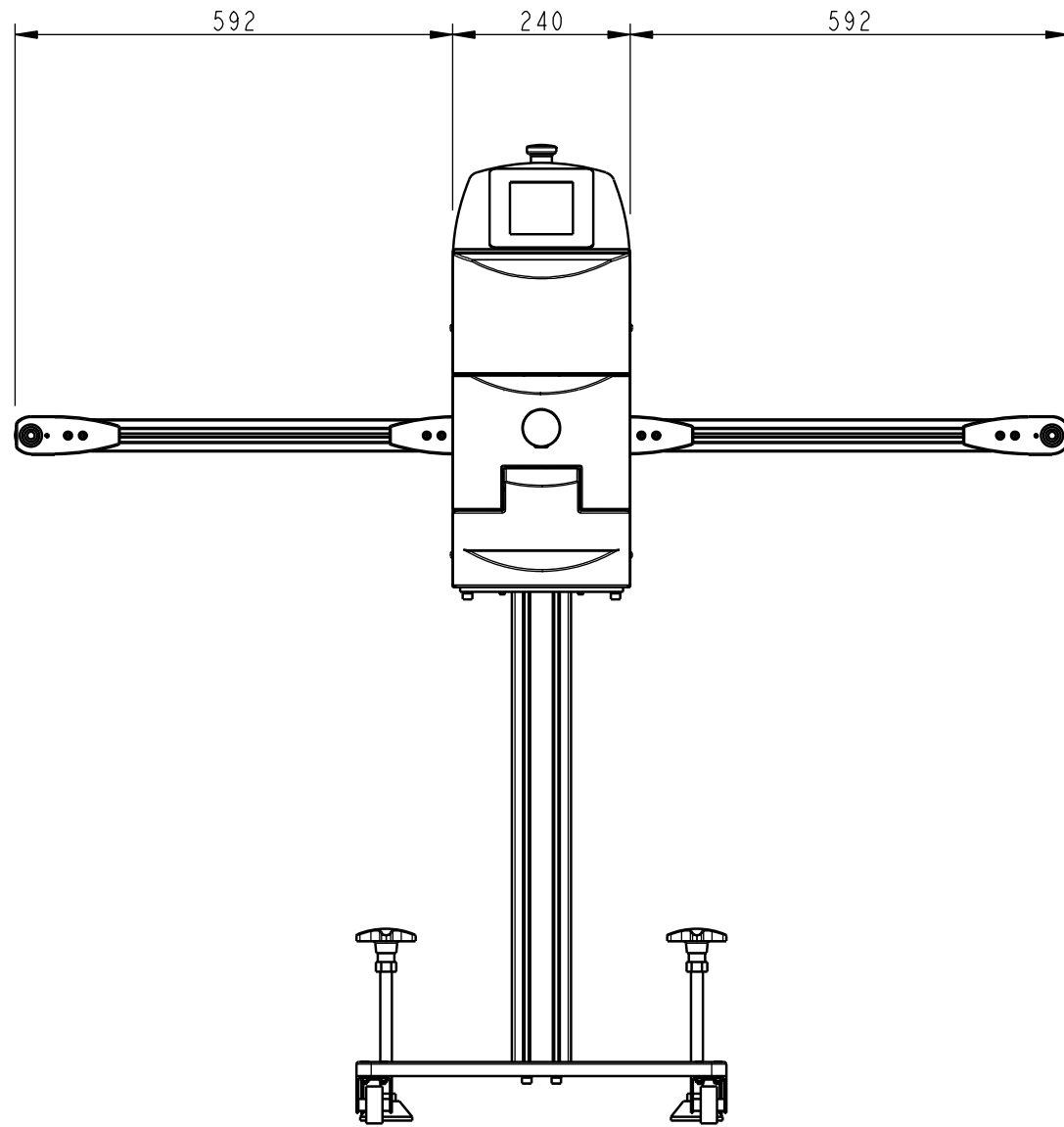
TEKNEK LIMITED
River Drive, Inchinnan
PA4 9RT, Scotland, United Kingdom
Telephone: +44 (0) 141 568 8100
E-mail: teknek@teknek.com
Web: - http://www.teknek.com



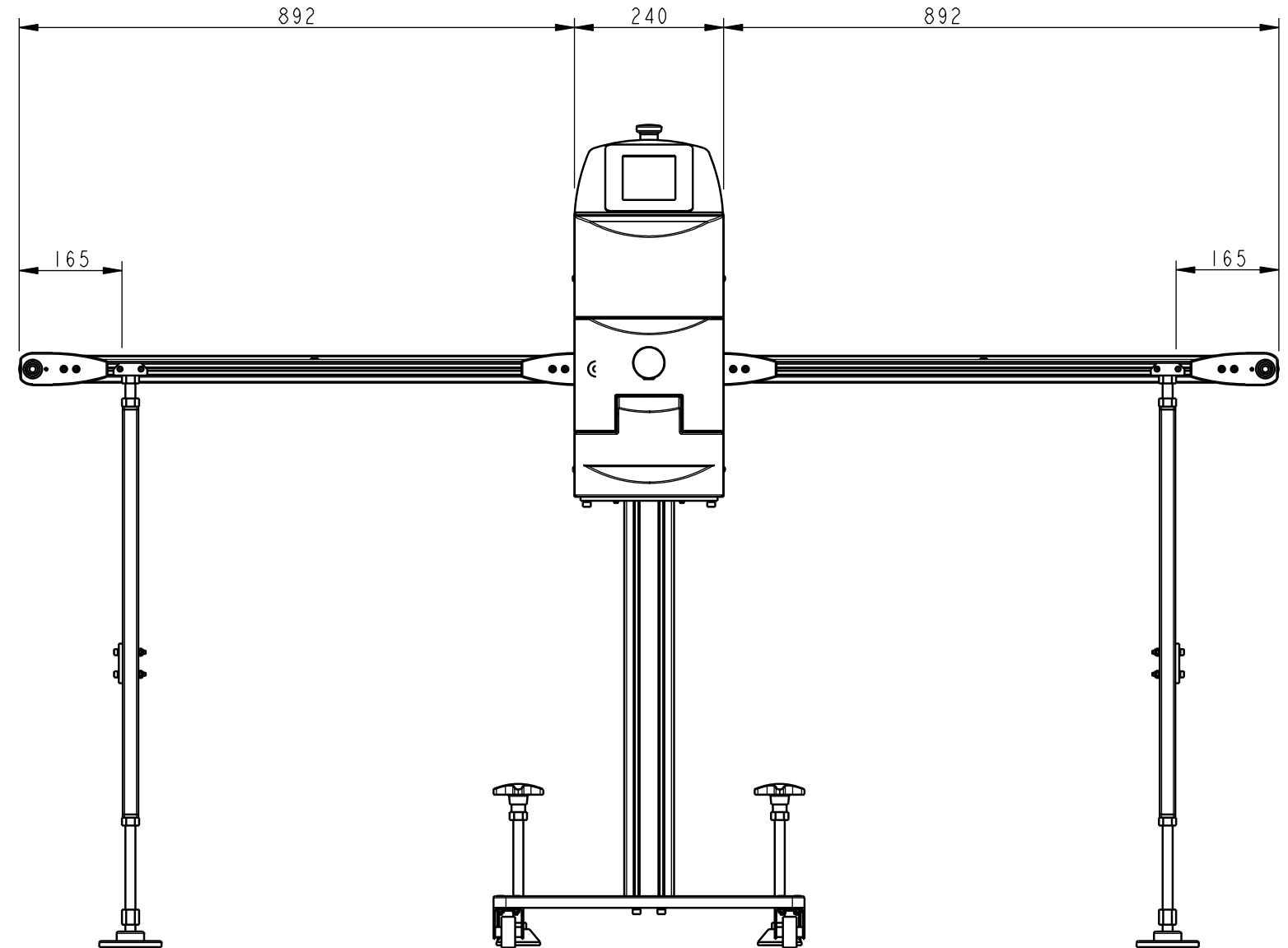
MATERIAL:	PROJECT: ACM55
FINISH:	TITLE: DIMENSIONAL LAYOUT
SCALE: 3:100	SHEET 2 OF 7
DRG SIZE: A3	PART No. Pi68100
	Rev. 05

DESCRIPTION OF CHANGE	REV
SEE SHEET - 1	05

PART No. Pi68100 Rev. 05



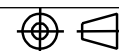
**ACM55 - 600 PROJECTION
TAPE CONVEYORS**



**ACM55 - 900 PROJECTION
TAPE CONVEYORS**

NOTES:

05	02.10.15	4435r02	BT	STD DESIGN SPEC. PI5487
04	10.11.14	4280r09	BT	DIMENSIONAL TOLERANCES UNLESS OTHERWISE STATED: DIMENSION X. ± .50mm ANGLES X. ± 2.0° X.X ± .25mm X.X ± 1.0° X.XX ± .10mm X.XX ± 0.5°
03	17.09.14	4280r03	GT	
02	27.08.14	4280r02	GT	
01	01.07.14	4280r01	CJS	DATE: 01.07.14
REV	DATE	ECN No.	ENG.	



© 2014 TEKNEK ®

ALL PRODUCTS DESIGNED, DEVELOPED AND MANUFACTURED BY TEKNEK LIMITED ARE PROTECTED BY COPYRIGHT, UNREGISTERED DESIGN RIGHT AND, WHERE APPROPRIATE, PATENT OR REGISTERED DESIGN. NO ELEMENT OF ANY PRODUCT SHOULD BE COPIED WITHOUT THE PRIOR WRITTEN PERMISSION OF TEKNEK LIMITED.

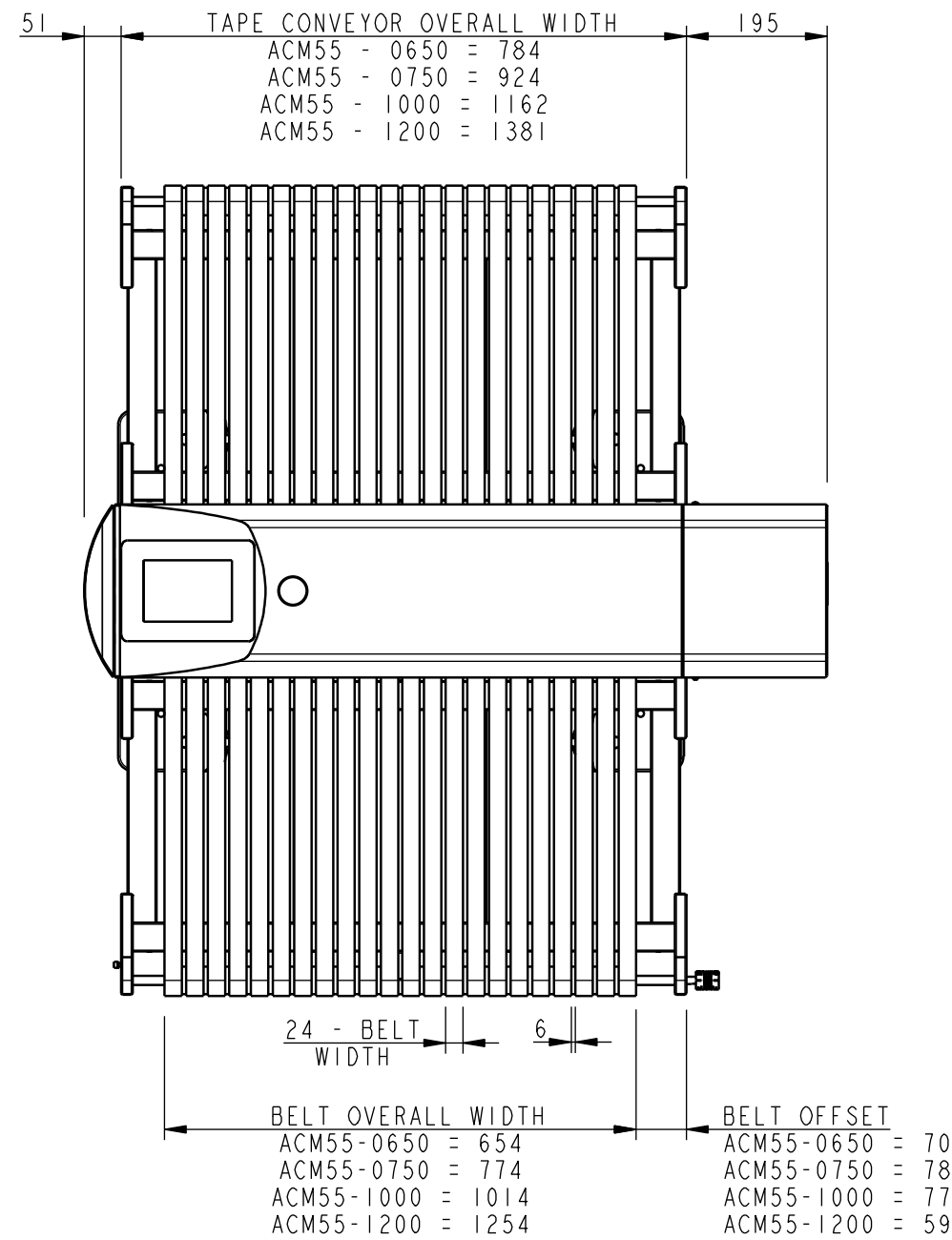
TEKNEK LIMITED
 River Drive, Inchinnan
 PA4 9RT, Scotland, United Kingdom
 Telephone: +44 (0) 141 568 8100
 E-mail: teknek@teknek.com
 Web: - http://www.teknek.com



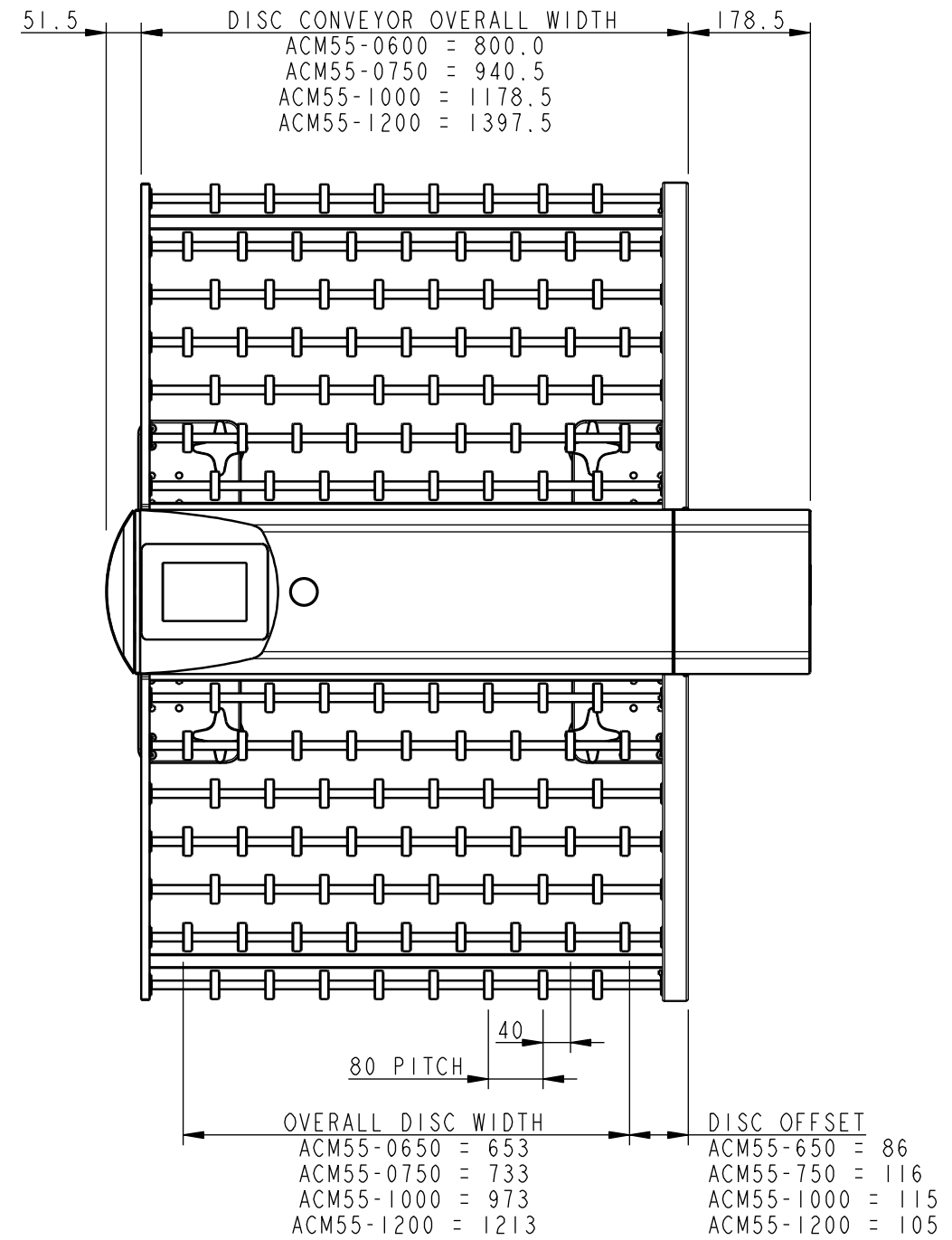
MATERIAL:	PROJECT: ACM55
FINISH:	TITLE: DIMENSIONAL LAYOUT
SCALE: 3:100	SHEET 3 OF 7
DRG SIZE: A3	PART No. Pi68100
	Rev. 05

DESCRIPTION OF CHANGE	REV
SEE SHEET - 1	05

PART No. Pi68100 Rev. 05



ACM55 C/W BELT CONVEYORS



ACM55 C/W DISC CONVEYORS

NOTES:

05	02.10.15	4435r02	BT	STD DESIGN SPEC. PI5487
04	10.11.14	4280r09	BT	DIMENSIONAL TOLERANCES UNLESS OTHERWISE STATED: DIMENSION X. ± .50mm ANGLES X. ± 2.0° X.X ± .25mm X.X ± 1.0° X.XX ± .10mm X.XX ± 0.5°
03	17.09.14	4280r03	GT	
02	17.08.14	4280r02	GT	
01	01.07.14	4280r01	CJS	DATE: 01.07.14
REV	DATE	ECN No.	ENG.	

© 2014 TEKNEK
 ALL PRODUCTS DESIGNED, DEVELOPED AND MANUFACTURED BY TEKNEK LIMITED ARE PROTECTED BY COPYRIGHT, UNREGISTERED DESIGN RIGHT AND, WHERE APPROPRIATE, PATENT OR REGISTERED DESIGN. NO ELEMENT OF ANY PRODUCT SHOULD BE COPIED WITHOUT THE PRIOR WRITTEN PERMISSION OF TEKNEK LIMITED.

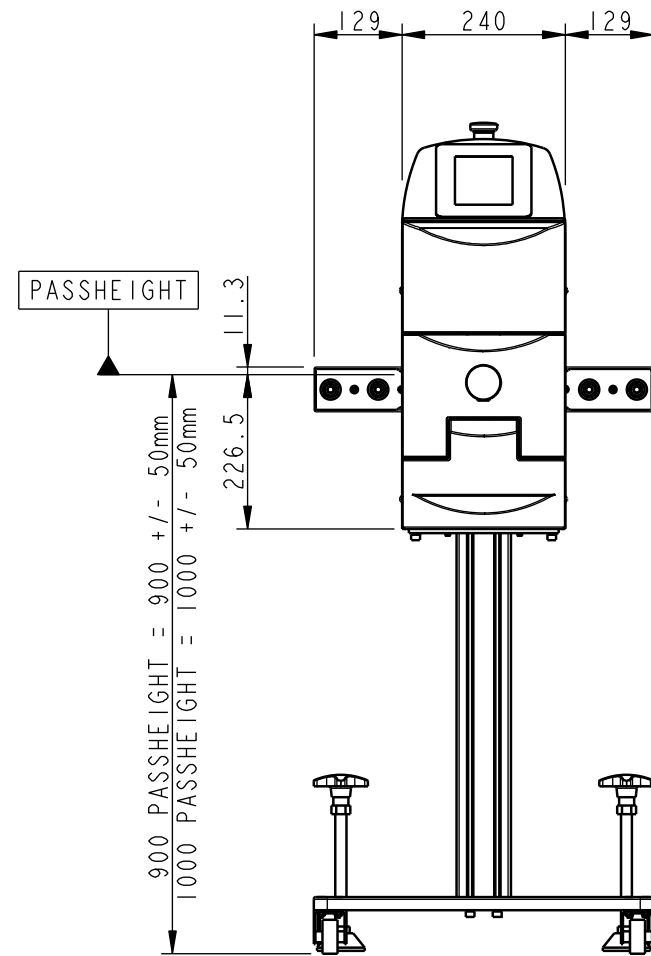
TEKNEK LIMITED
 River Drive, Inchinnan
 PA4 9RT, Scotland, United Kingdom
 Telephone: +44 (0) 141 568 8100
 E-mail: teknek@teknek.com
 Web: - http://www.teknek.com



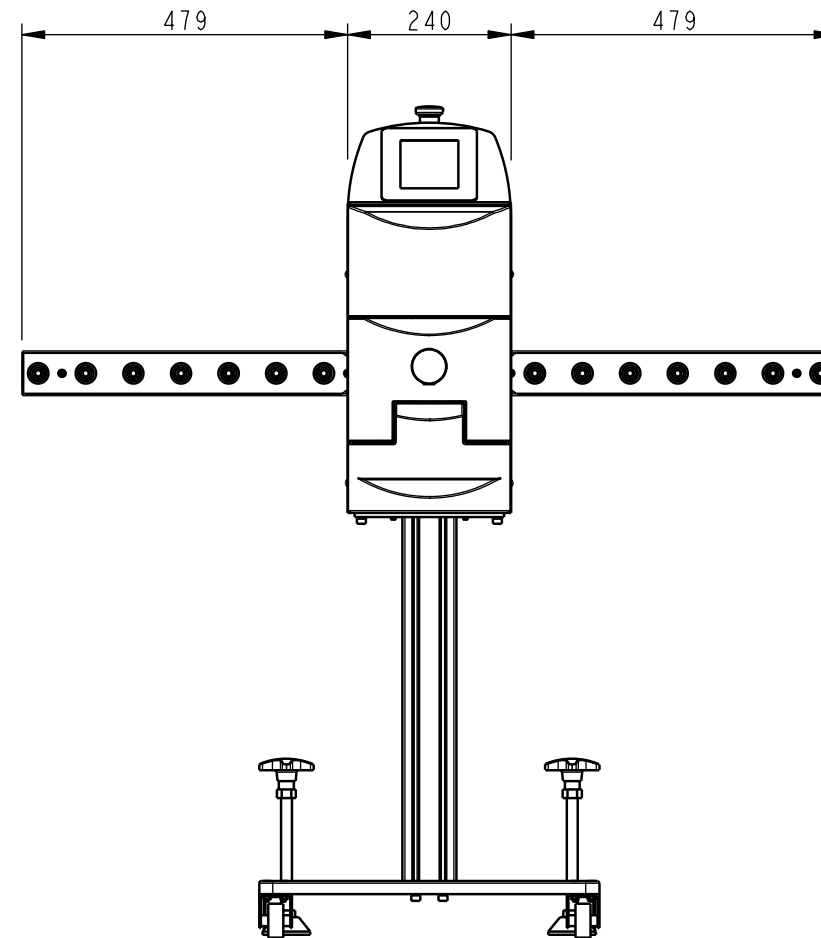
MATERIAL:	PROJECT: ACM55
FINISH:	TITLE: DIMENSIONAL LAYOUT
SCALE: 3:100	SHEET 4 OF 7
DRG SIZE: A3	PART No. Pi68100
	Rev. 05

DESCRIPTION OF CHANGE	REV
SEE SHEET - 1	05

PART No. Pi68100 Rev. 05



**ACM55 - STUBBY
DISC CONVEYOR**



**ACM55 - STANDARD
PROJECTION DISC CONVEYOR**

NOTES:

05	02.10.15	4435r01	BT
04	10.11.14	4280r09	BT
03	17.09.14	4280r03	GT
02	17.08.14	4280r02	GT
01	01.07.14	4280r01	CJS
REV	DATE	ECN No.	ENG.

STD DESIGN SPEC. PI5487

⊕ ◁

DIMENSIONAL TOLERANCES UNLESS OTHERWISE STATED:
 DIMENSION X. ± .50mm ANGLES X. ± 2.0°
 X.X ± .25mm X.X ± 1.0°
 X.XX ± .10mm X.XX ± 0.5°

© 2014 TEKNEK ®

ALL PRODUCTS DESIGNED, DEVELOPED AND MANUFACTURED BY TEKNEK LIMITED ARE PROTECTED BY COPYRIGHT, UNREGISTERED DESIGN RIGHT AND, WHERE APPROPRIATE, PATENT OR REGISTERED DESIGN. NO ELEMENT OF ANY PRODUCT SHOULD BE COPIED WITHOUT THE PRIOR WRITTEN PERMISSION OF TEKNEK LIMITED.

TEKNEK LIMITED
 River Drive, Inchinnan
 PA4 9RT, Scotland, United Kingdom
 Telephone: +44 (0) 141 568 8100
 E-mail: teknek@teknek.com
 Web: - http://www.teknek.com



ENGR: C.SCOTT DATE: 01.07.14

MATERIAL:

PROJECT: ACM55

FINISH:

TITLE: DIMENSIONAL LAYOUT

SCALE: 3:100

SHEET 5 OF 7

DRG SIZE: A3

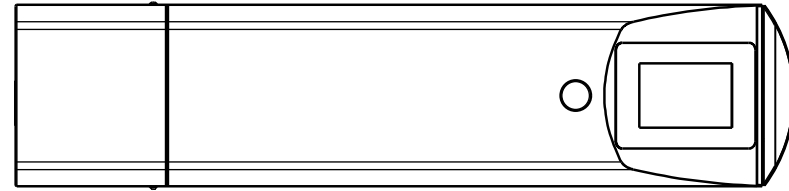
PART No. Pi68100

Rev. 05

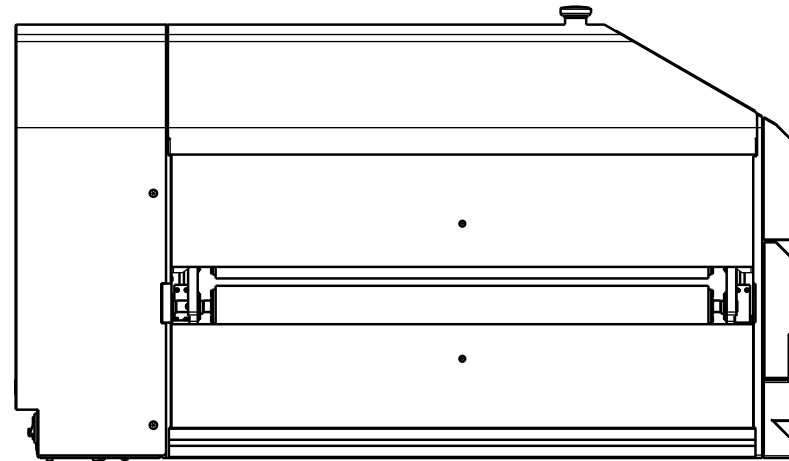
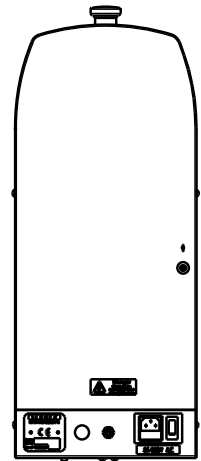
DESCRIPTION OF CHANGE	REV
SEE SHEET - 1	05

PART No. Pi68100 Rev. 05

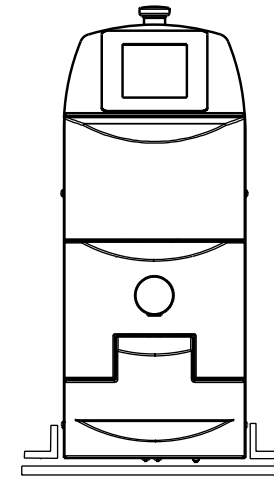
F



E



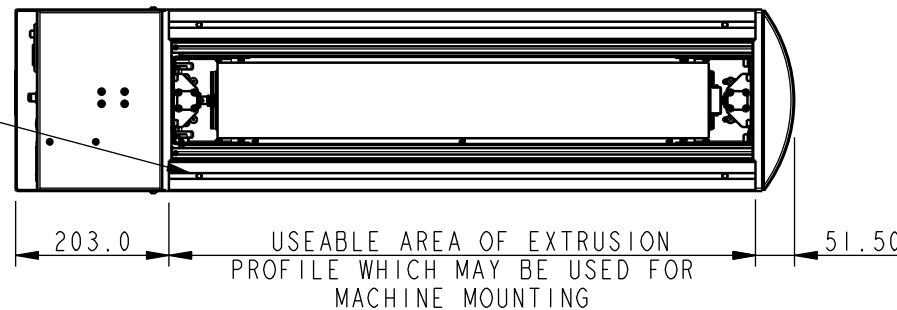
D



SUGGESTED MOUNTING OPTIONS FOR MACHINES SUPPLIED WITH NO STANDS
 BASEPLATE MOUNTED TO UNDERSIDE OF EXTRUSION PROFILE OF ANGLE BRACKETS MOUNTED TO SIDE OF EXTRUSION PROFILE USING M8 T-SLOT NUTS INSIDE THE EXTRUSION PROFILE SLOTS

C

2x ITEM 40x40 PROFILE EXTRUSIONS ON BASE OF MACHINE. USE FOR MACHIONE MOUNTING IF NO STAND IS SUPPLIED USE M6 OR M8 T-SLOT NUTS.



ACM55 - NO STAND OPTION

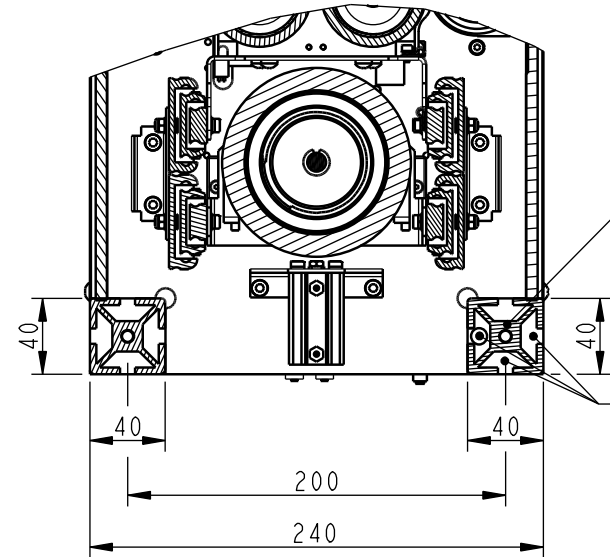
B

NOTES:	05	02.10.15	4435r02	BT	STD DESIGN SPEC. PI5487		© 2014 TEKNEK ® ALL PRODUCTS DESIGNED, DEVELOPED AND MANUFACTURED BY TEKNEK LIMITED ARE PROTECTED BY COPYRIGHT, UNREGISTERED DESIGN RIGHT AND, WHERE APPROPRIATE, PATENT OR REGISTERED DESIGN. NO ELEMENT OF ANY PRODUCT SHOULD BE COPIED WITHOUT THE PRIOR WRITTEN PERMISSION OF TEKNEK LIMITED.	TEKNEK LIMITED River Drive, Inchinnan PA4 9RT, Scotland, United Kingdom Telephone: +44 (0) 141 568 8100 E-mail: teknek@teknek.com Web: - http://www.teknek.com		
	04	10.11.14	4280r09	BT	DIMENSIONAL TOLERANCES UNLESS OTHERWISE STATED: DIMENSION X. ± .50mm ANGLES X. ± 2.0° X.X ± .25mm X.X ± 1.0° X.XX ± .10mm X.XX ± 0.5°					
	03	17.09.14	4280r03	GT						
	02	27.08.14	4280r02	GT	ENGR: C.SCOTT	DATE: 01.07.14	MATERIAL:	PROJECT: ACM55		
	01	01.07.14	4280r01	CJS			FINISH:	TITLE: DIMENSIONAL LAYOUT		
	REV	DATE	ECN No.	ENG.			SCALE: 3:100	SHEET 6 OF 7	DRG SIZE: A3	PART No. Pi68100

A

DESCRIPTION OF CHANGE	REV
SEE SHEET - 1	05

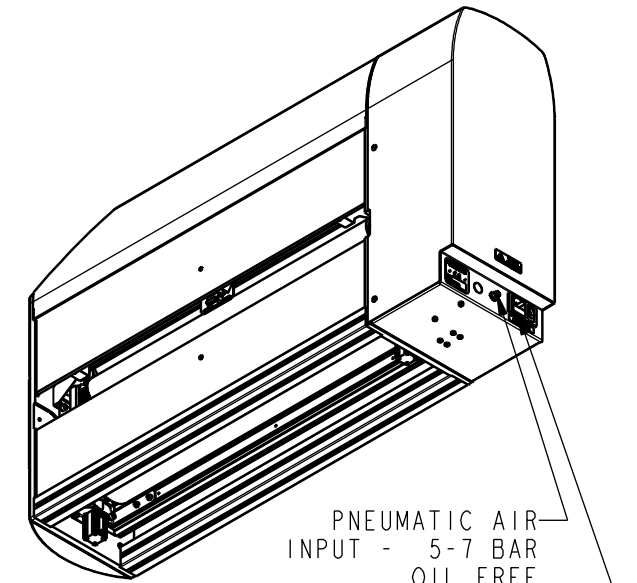
PART No. Pi68100 Rev. 05



ITEM EXTRUSION PROFILE
40x40mm - MAY BE USED FOR
MACHINE MOUNTING USING ITEM
M8 - T-SLOT NUTS MOUNTED
INSIDE EXTRUSION SLOTS

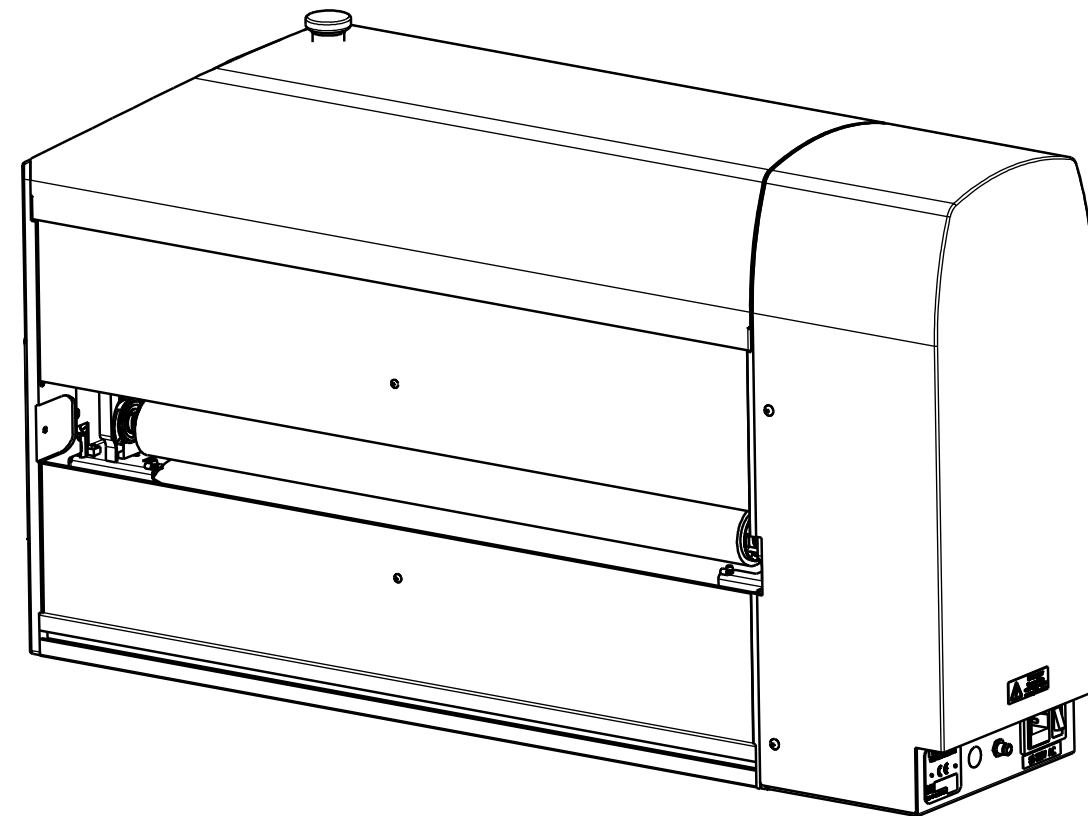
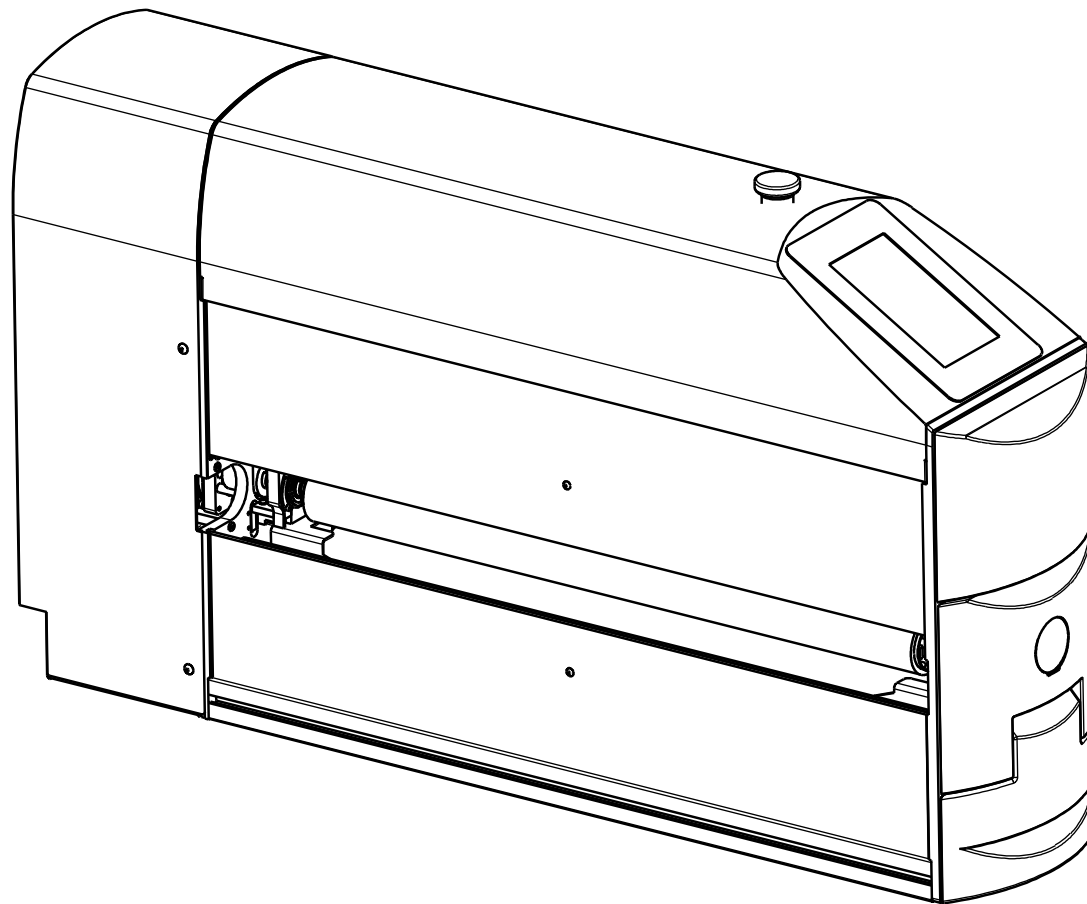
FIT T-SLOT NUTS INTO
THESE EXTRUSION PROFILE
SLOTS TO ATTACH MOUNTING
BRACKETS AS REQUIRED.

SECTION Y-Y
SCALE 1:4



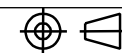
PNEUMATIC AIR
INPUT - 5-7 BAR
OIL FREE

ELECTRICAL INPUT
100 - 240VAC



NOTES:

05	02.10.15	4435r02	BT	STD DESIGN SPEC. PI5487
04	10.11.14	4280r09	BT	DIMENSIONAL TOLERANCES UNLESS OTHERWISE STATED: DIMENSION X. ± .50mm ANGLES X. ± 2.0° X.X ± .25mm X.X ± 1.0° X.XX ± .10mm X.XX ± 0.5°
03	17.09.14	4280r03	GT	
02	17.08.14	4280r02	GT	
01	01.07.14	4280r01	CJS	DATE: 01.07.14
REV	DATE	ECN No.	ENG.	



© 2014 TEKNEK ®

ALL PRODUCTS DESIGNED, DEVELOPED AND MANUFACTURED BY TEKNEK LIMITED ARE PROTECTED BY COPYRIGHT, UNREGISTERED DESIGN RIGHT AND, WHERE APPROPRIATE, PATENT OR REGISTERED DESIGN. NO ELEMENT OF ANY PRODUCT SHOULD BE COPIED WITHOUT THE PRIOR WRITTEN PERMISSION OF TEKNEK LIMITED.

TEKNEK LIMITED
River Drive, Inchinnan
PA4 9RT, Scotland, United Kingdom
Telephone: +44 (0) 141 568 8100
E-mail: teknek@teknek.com
Web: - <http://www.teknek.com>



MATERIAL:

PROJECT: ACM55

FINISH:

TITLE: DIMENSIONAL LAYOUT

SCALE: 3:100

SHEET 7 OF 7

DRG SIZE: A3

PART No. Pi68100

Rev. 05