

ACM 55

teknek

An ITW Company



ACM 55

The New ACM55 from Teknek raises the bar both in innovation and design. Our commitment to the development of contact cleaning technology has resulted in the most advanced Sheet Cleaner on the market today. The multi-functional product can be set-up to operate in many applications within many industries.

The Class A " ISO 6123 " ultra-light weight composite rollers in the ACM55 are available in our traditional elastomers plus our ground breaking silicone free Nanocleen. These key elements offer advanced material processing combined with our world leading particle pick-up technology.

SPECIFICATION

Cleaning Core	Traditional Elastomer & Silicone Free
Cleaning Widths	650 – 750 – 1000 – 1200
Operating modes	Uni-Directional & Auto-Reverse
Processing Speed	2.5 – 40m/min
Material processing	50 μ - 8mm **
Static Elimination	Simco bar on entry and exit
Pass height	900 or 1000 \pm 50mm
Power Supply " Universal "	85 – 264 V AC
Air Supply	5 – 7bar " oil free air "

** Top lift may be required to process materials



FEATURES

BENEFITS



Class A Light Weight Cleaning Technology

New materials have driven the need for a step change in the innovation of contact cleaning rollers. Our Class A "ISO 6123" ultra-light weight composite rollers deliver world leading contact cleaning without damaging the surface of the material. This new technology has the unique ability to process both thick and very thin materials.



Tablet Interface

Customers today expect a quality interface that is, easy to use, requires minimum operator training, displays machine status at all times and removes the language barriers. Access to operator instructions and machine drawings are available at a tap of the screen. The ACM55 Tablet delivers so much more in all areas.



Magnetic Drive System

Goodbye to gears, chains, noise and debris and hello to contactless magnet drive system. This seamless drive system delivers a safe, clean, accurate alternative to traditional methods. The use of Stepper motors ensure precision is maintained at all times.



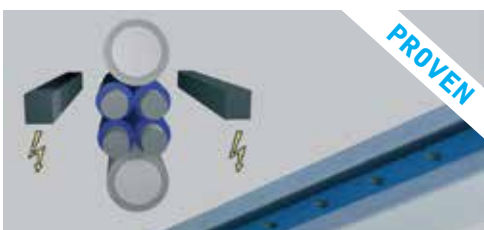
Conveyors

Where the application demands a support system to process material in and out the ACM55, we offer a range of Tape and Disc conveyors. The Tape design will support both flexible and rigid sheets where the Disc design is aimed at rigid materials such as glass and aluminium. Independent drive system allows us to offer custom length conveyors to seamlessly integrate the ACM55.



Side Access

The ACM55 design ensures all aspects of the new light weight Cleaning Core are available to both operator and maintenance when required. Fastener free locking systems remove the need for tools to access both Cleaning Rollers and Adhesive Rolls "Cleaning Core".



Anti-Static System

Working closely with Simco, the world leader in static control systems. The ACM55 as standard is fitted with static bars on the entry and exit of the machine. This ensures the material processed leaves the machine free of static charge.**

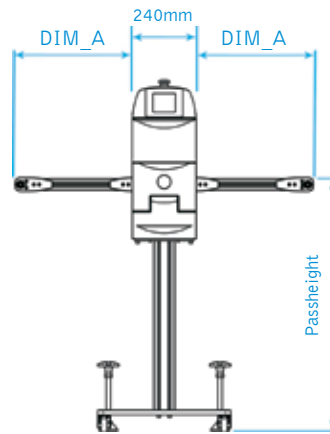
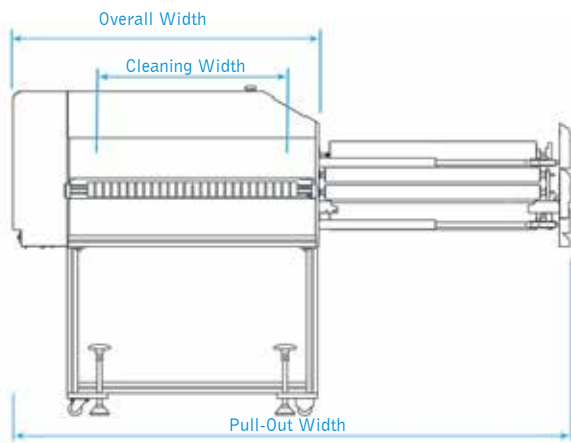
** Static results based on in-house laboratory testing

ACM 55

TECHNICAL SPECIFICATION



An ITW Company



ACM55 CLEANER	CLEANING WIDTH	OVERALL WIDTH	PULL-OUT WIDTH	PASSHEIGHT
ACM55-0650	650mm	1031mm	1779mm	900 or 1000 +/-50mm
ACM55-0750	762mm	1171mm	2059mm	900 or 1000 +/-50mm
ACM55-1000	1000mm	1406mm	2535mm	900 or 1000 +/-50mm
ACM55-1200	1200mm	1628mm	2973mm	900 or 1000 +/-50mm

CONVEYOR TYPE	DIM_A
STUBBY TAPE	124mm
STANDARD TAPE	442mm
545 TAPE	537mm
600 TAPE	592mm
900 TAPE	892mm
STUBBY DISK	129mm
STANDARD DISK	473mm



Roller Maintenance Products



WORLD LEADER IN CONTACT CLEANING

Teknek Head Office
River Drive
Inchinnan Business Park
Renfrewshire, PA4 9RT
Scotland, UK

T: +44 (0)141 568 8100
E: teknek@teknek.com

Teknek Japan Ltd
1-2-4, Minatojima-Nakamachi,
Chuo-ku,
Kobe 650-0046
Japan

T: + 81 (0)78 304 5780
E: japan@teknek.com

Teknek China Ltd
Unit E, 4/F,
Winfield Industrial Building,
3 Kin Kwan Street,
Tuen Mun, N.T.
Hong Kong

T: +852 2468 3160
E: hk@teknek.com

Teknek (Simco-Ion)
2257 North Penn Road
Hatfield,
PA 19440
USA

T: +1 215 822 6401
E: ussales@teknek.com

