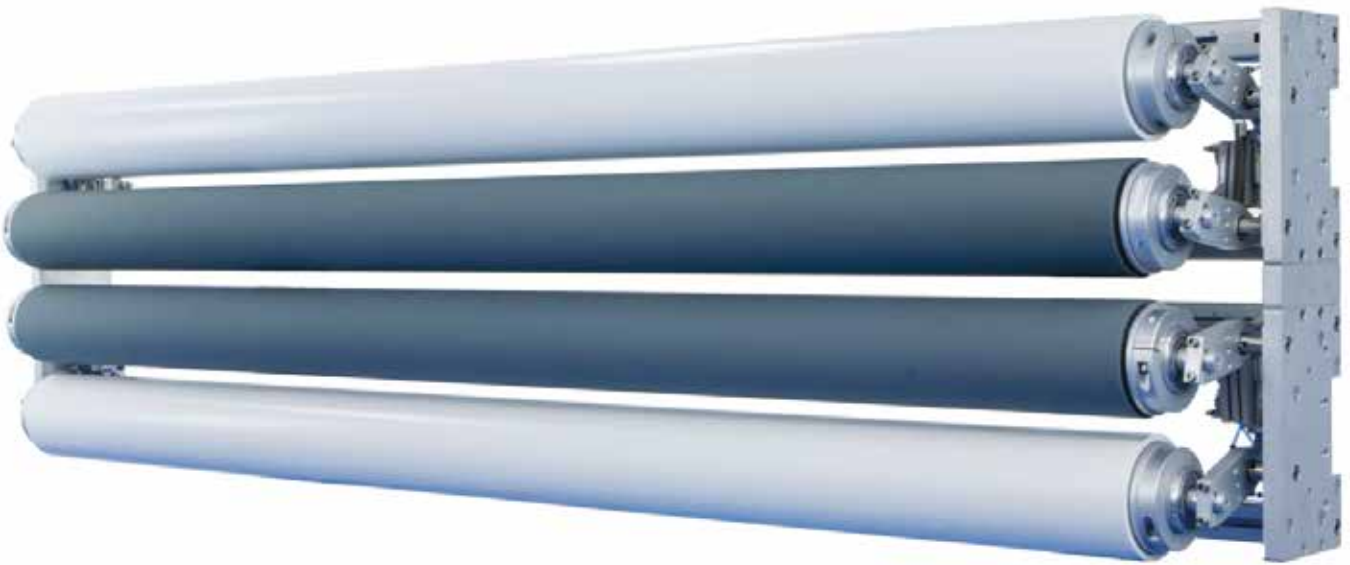


# THE TEKNEK WEB CLEANER

**teknek**

An ITW Company



Best Cleaning, Best Value Teknek Web Cleaner

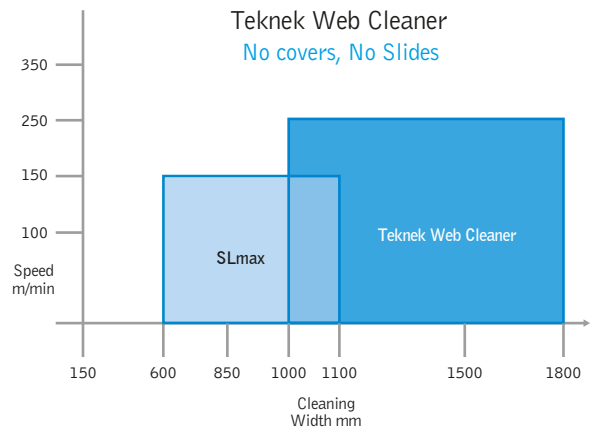
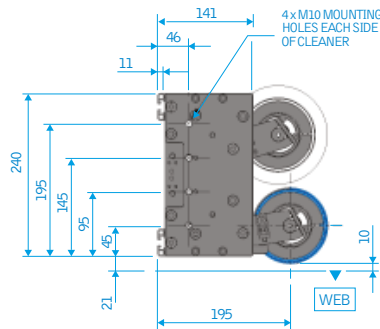
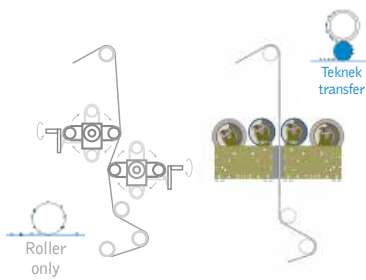
# THE TEKNEK WEB CLEANER

The Teknek Web cleaner has been designed to meet the changing demands of converters and machine builders that supply products into the high value web sector. (e.g Multifunctional films, Lithium Ion Batteries, electronic films)



- Best cleaning available – Teknek cleaning system independently tested
- Processing of all webs – low applied pressure at cleaning nip
- Proven technology – used and approved by many companies
- Best Value – compared to alternative technology's

FEATURES	BENEFITS
NT & GAR Nanoclean™ and UTF roller	<ul style="list-style-type: none"> <li>• Low static Cleaning</li> <li>• Best process yield achieved</li> <li>• No change to the coating process</li> <li>• Provide a 12 month warranty</li> </ul>
Lightweight roller sleeve technology	<ul style="list-style-type: none"> <li>• Will process all web types without adjustment</li> <li>• Low applied pressure but maximum cleaning</li> <li>• No lifting equipment required – safe to handle</li> </ul>
Low cost of ownership	<ul style="list-style-type: none"> <li>• No roller damage</li> <li>• Minimal operator involvement</li> <li>• Low monthly consumable cost</li> </ul>
Can fit smaller rollers into same frame	<ul style="list-style-type: none"> <li>• Optimise cleaning widths.</li> <li>• Process thin narrow webs</li> <li>• One machine for all applications</li> </ul>
Simple installation	<ul style="list-style-type: none"> <li>• Single sided or double sided machine set up</li> <li>• Multiple mounting positions</li> <li>• Fully integrates with host machine</li> </ul>



## OPTIONS

- anti static system - supplied loose
- Single or double sided set up
- Side access slide module

## WORLD LEADER IN CONTACT CLEANING

**Teknek Head Office**  
River Drive  
Inchinnan Business Park  
Renfrewshire, PA4 9RT  
Scotland, UK

**Teknek Japan Ltd**  
1-2-4, Minatojima-Nakamachi,  
Chuo-ku,  
Kobe 650-0046  
Japan

**Teknek China Ltd**  
Unit E, 4/F,  
Winfield Industrial Building,  
3 Kin Kwan Street,  
Tuen Mun, N.T.  
Hong Kong

**Teknek (Simco-Ion)**  
2257 North Penn Road  
Hatfield,  
PA 19440  
USA

T: +44 (0)141 568 8100  
E: teknek@teknek.com

T: + 81 (0)78 304 5780  
E: japan@teknek.com

T: +852 2468 3160  
E: hk@teknek.com

T: +1 215 822 6401  
E: ussales@teknek.com