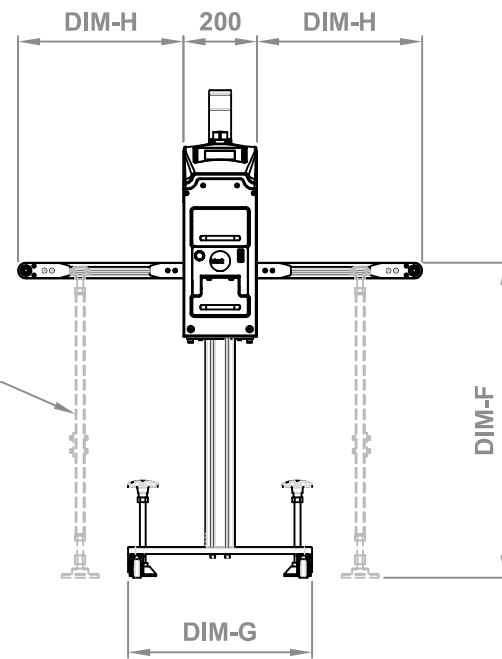
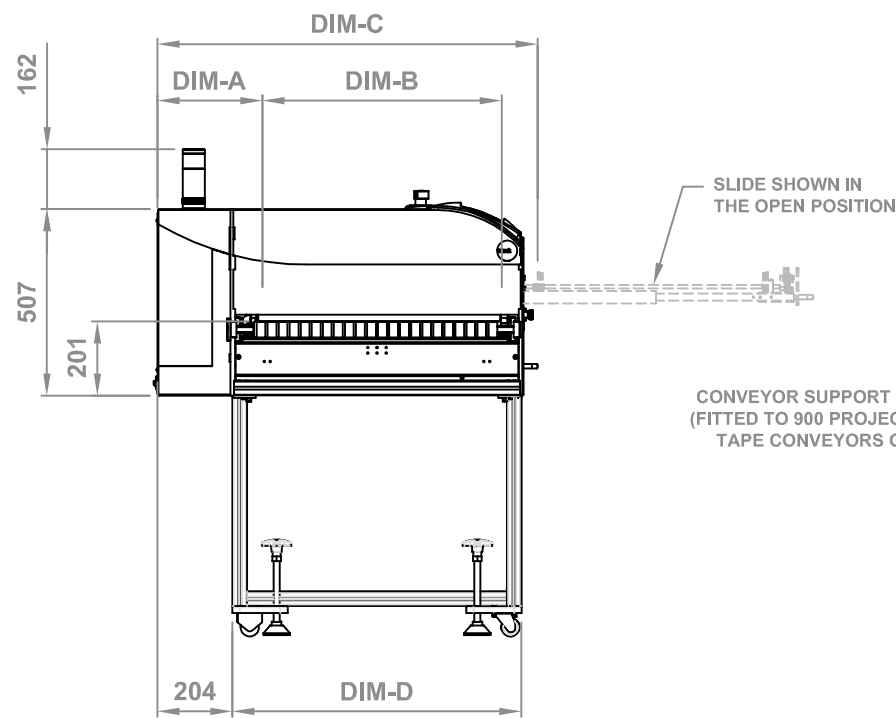


MACHINE WIDTH	EDGE OF ROLLER	CLEANING WIDTH	OVERALL WIDTH	STAND LENGTH	WIDTH - SLIDE OPEN	PASSHEIGHT	STAND WIDTH
	DIM - A	DIM - B	DIM - C	DIM - D	DIM - E	DIM - F +/-50mm	DIM-G
CM80 - 300	285	320	729	483	1177	900 / 1000	INLINE 200 / MAIN 500
CM80 - 600	285	622	1031	785	1781	900 / 1000	INLINE 200 / MAIN 500
CM80 - 650	271	650	1031	785	1781	900 / 1000	INLINE 200 / MAIN 500
CM80 - 750	285	762	1171	925	2061	900 / 1000	INLINE 200 / MAIN 500
CM80 - 1000	285	1000	1409	1163	2537	900 / 1000	INLINE 200 / MAIN 500



BELT CONVEYORS	PROJECTION	OFFSET	CM80-300	CM80-600/560	CM80-750	CM80-1000
	DIM - H	DIM - J	DIM - K	DIM - K	DIM - K	DIM - K
STUBBY BELT	127	199	493	795	935	1173
STANDARD BELT	449	199	493	795	935	1173
545 BELT	544	199	493	795	935	1173
600 BELT	599	199	493	795	935	1173
900 BELT	899	199	493	795	935	1173

DISK CONVEYORS	PROJECTION	OFFSET	CM80-300	CM80-600/560	CM80-750	CM80-1000
	DIM - H	DIM - J	DIM - K	DIM - K	DIM - K	DIM - K
STUBBY DISK	136	184	509	811	951	1189
STANDARD DISK	486	184	509	811	951	1189
LONG DISK	626	184	509	811	951	1189


NOTES:

01	06.18	5052	BT
REV	DATE	ECN No.	ENG.

STANDARD DESIGN SPEC. PI 5487	
DIMENSIONAL TOLERANCES UNLESS OTHERWISE STATED:	
DIMENSION X. ± .50mm	ANGLES X. ± 2.0°
.X ± .25 mm	.X ± 1.0°
.XX ± .10 mm	.XX ± .50°
ENGR: B. TYNAN	DATE: 29.06.18
CHK BY:	DATE:
APP BY:	DATE:

© TEKNEK 2018 ®
 ALL PRODUCTS DESIGNED, DEVELOPED AND MANUFACTURED BY TEKNEK ARE PROTECTED BY COPYRIGHT, UNREGISTERED DESIGN RIGHT AND, WHERE APPROPRIATE, PATENT OR REGISTERED DESIGN. NO ELEMENT OF ANY PRODUCT SHOULD BE COPIED WITHOUT THE PRIOR WRITTEN PERMISSION OF TEKNEK.

TEKNEK
 River Drive, Inchinnan Business Park, Renfrewshire, Scotland. PA4 9RT. United Kingdom
 Tel: +44 (0) 141 568 8100
 E-mail: teknek@teknek.com
 Web: http://www.teknek.com



An ITW Company

MATERIAL:	PROJECT: CM80 CLEANER
FINISH:	TITLE: PRODUCT INFORMATION
SCALE: NTS	SHEET 1 OF 1

DRG SIZE: A3	PART No: Pi74496	Rev. 01
--------------	------------------	---------