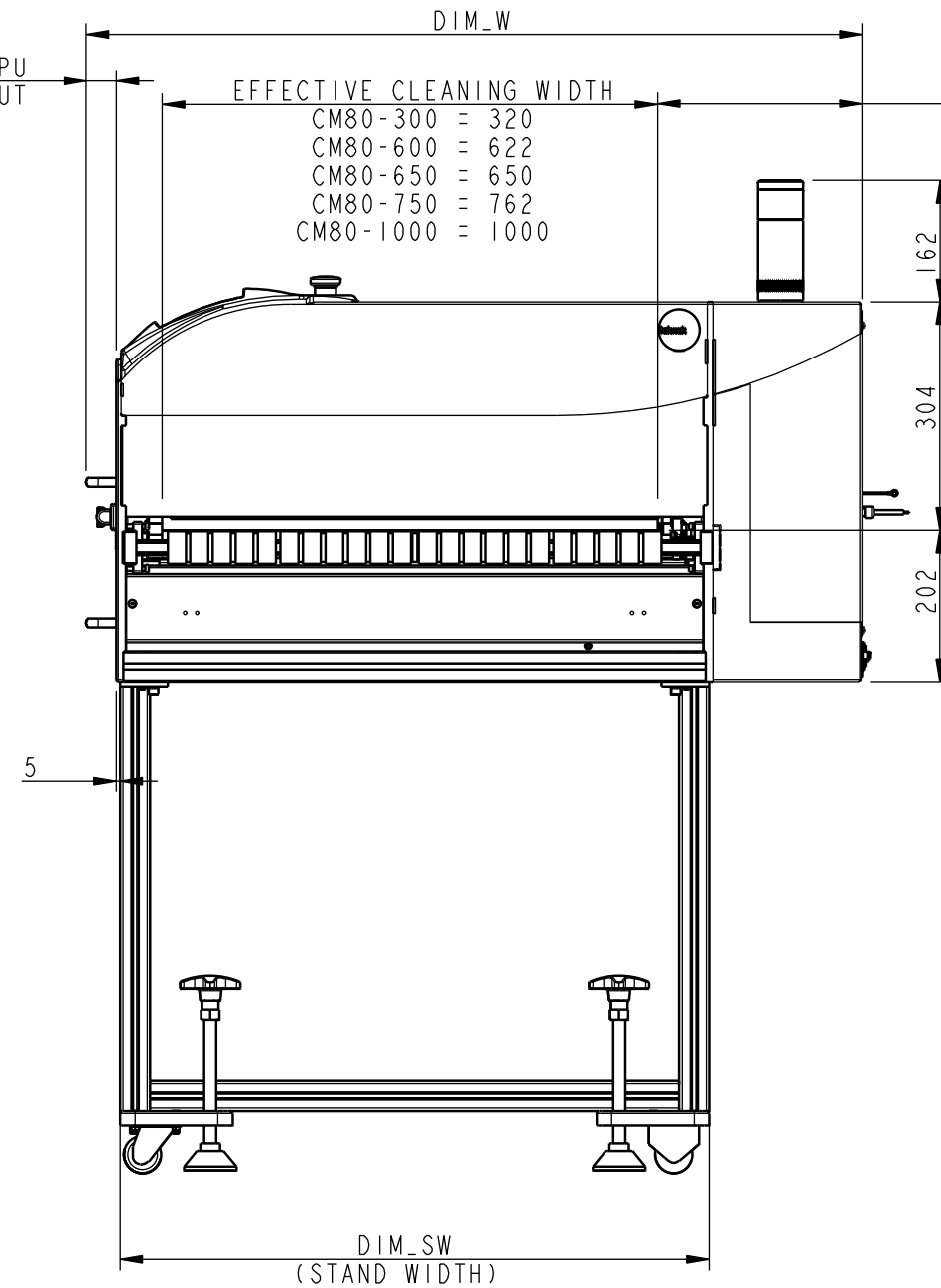
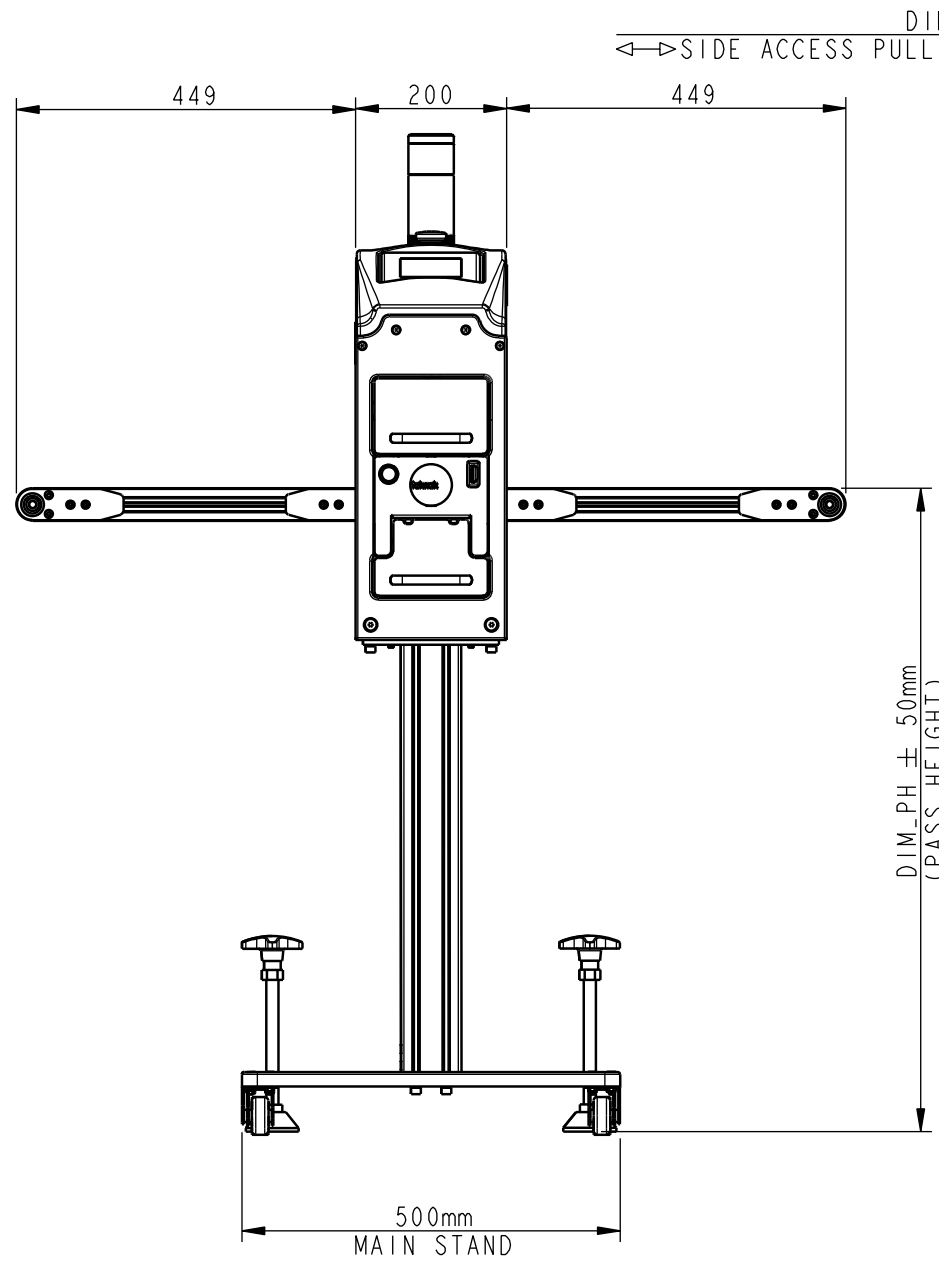
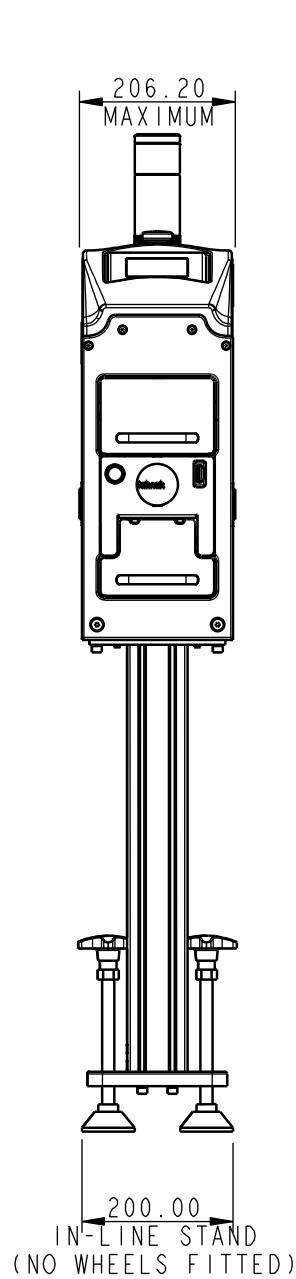


1	2	3	4	5	6	7	8
DESCRIPTION OF CHANGE		REV		PART No. Pi64006			Rev. 01
INITIAL RELEASE		01					



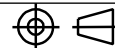
CM80-300 = 320
CM80-600 = 622
CM80-650 = 650
CM80-750 = 762
CM80-1000 = 1000

DIM TO EDGE OF A/R
CM80-300 = 285
CM80-600 = 285
CM80-650 = 271
CM80-750 = 285
CM80-1000 = 285

CM80 MACHINE	DIM_PH +/- 50(mm)	DIM_CW (mm)	DIM_PU MAXIMUM (mm)	DIM_W (OVERALL WIDTH)	DIM_SW STAND WIDTH	WEIGHT (Kg)
CM80 0300	900 or 1000	320	500	743	483	75
CM80 0600	900 or 1000	622	810	1045	785	86
CM80 0650	900 or 1000	650	810	1045	785	87
CM80 0750	900 or 1000	762	950	1185	925	95
CM80 1000	900 or 1000	1000	1190	1423	1163	115

NOTES:

STD DESIGN SPEC. P15487



DIMENSIONAL TOLERANCES UNLESS OTHERWISE STATED:

DIMENSION X. ± .50mm ANGLES X. ± 2.0°
 X.X ± .25mm X.X ± 1.0°
 X.XX ± .10mm X.XX ± 0.5°

© 2012 TEKNEK

ALL PRODUCTS DESIGNED, DEVELOPED AND MANUFACTURED BY TEKNEK LIMITED ARE PROTECTED BY COPYRIGHT, UNREGISTERED DESIGN RIGHT AND, WHERE APPROPRIATE, PATENT OR REGISTERED DESIGN. NO ELEMENT OF ANY PRODUCT SHOULD BE COPIED WITHOUT THE PRIOR WRITTEN PERMISSION OF TEKNEK LIMITED.

TEKNEK LIMITED
 River Drive, Inchinnan
 PA4 9RT, Scotland, United Kingdom
 Telephone: +44 (0) 141 568 8100
 E-mail: teknek@teknek.com
 Web: - http://www.teknek.com



ENGR: B CROOKSTON

DATE: 11.10.12

MATERIAL: SEE NOTES

PROJECT: CM80

01	12.10.12	4037r02	WBC
----	----------	---------	-----

FINISH: SEE NOTES

TITLE: CM80 LAYOUT DRAWING

REV	DATE	ECN No.	ENG.
-----	------	---------	------

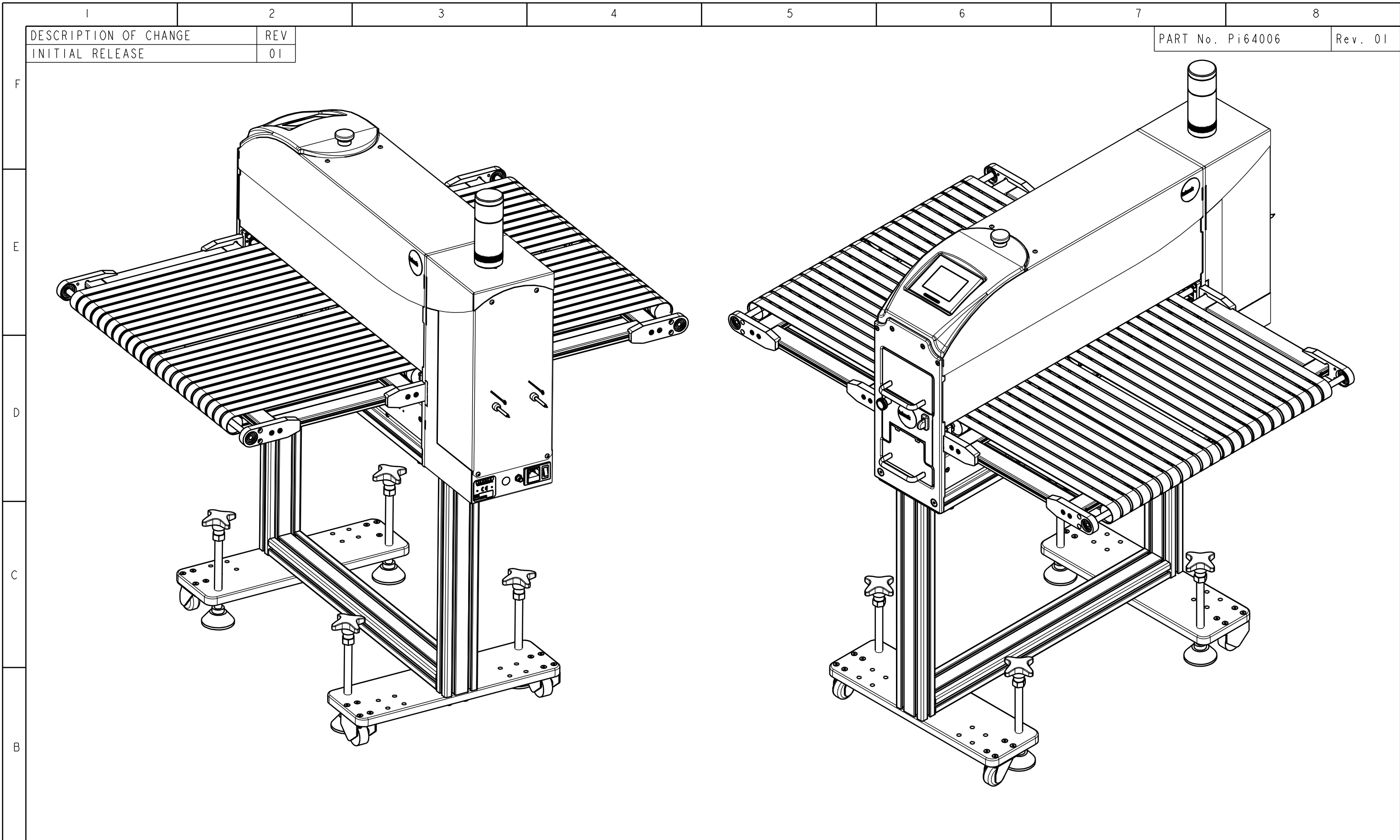
SCALE: 1:10

SHEET 1 OF 2

DRG SIZE: A3

PART No. Pi64006

Rev. 01



DESCRIPTION OF CHANGE	REV
INITIAL RELEASE	01

PART No. Pi64006 Rev. 01

NOTES:

01	12.10.12	4037r01	WBC
REV	DATE	ECN No.	ENG.

STD DESIGN SPEC. P15487	
DIMENSIONAL TOLERANCES UNLESS OTHERWISE STATED: DIMENSION X. ± .50mm ANGLES X. ± 2.0° X.X ± .25mm X.X ± 1.0° X.XX ± .10mm X.XX ± 0.5°	
ENGR: B CROOKSTON	DATE: 11.10.12

© 2012 TEKNEK ALL PRODUCTS DESIGNED, DEVELOPED AND MANUFACTURED BY TEKNEK LIMITED ARE PROTECTED BY COPYRIGHT, UNREGISTERED DESIGN RIGHT AND, WHERE APPROPRIATE, PATENT OR REGISTERED DESIGN. NO ELEMENT OF ANY PRODUCT SHOULD BE COPIED WITHOUT THE PRIOR WRITTEN PERMISSION OF TEKNEK LIMITED.
MATERIAL: SEE NOTES
FINISH: SEE NOTES
SCALE: 1:10

TEKNEK LIMITED River Drive, Inchinnan PA4 9RT, Scotland, United Kingdom Telephone: +44 (0) 141 568 8100 E-mail: teknek@teknek.com Web:- http://www.teknek.com	 An ITW Company
PROJECT: CM80	TITLE: CM80 LAYOUT DRAWING
DRG SIZE: A3	PART No. Pi64006
SHEET 2 OF 2	Rev. 01