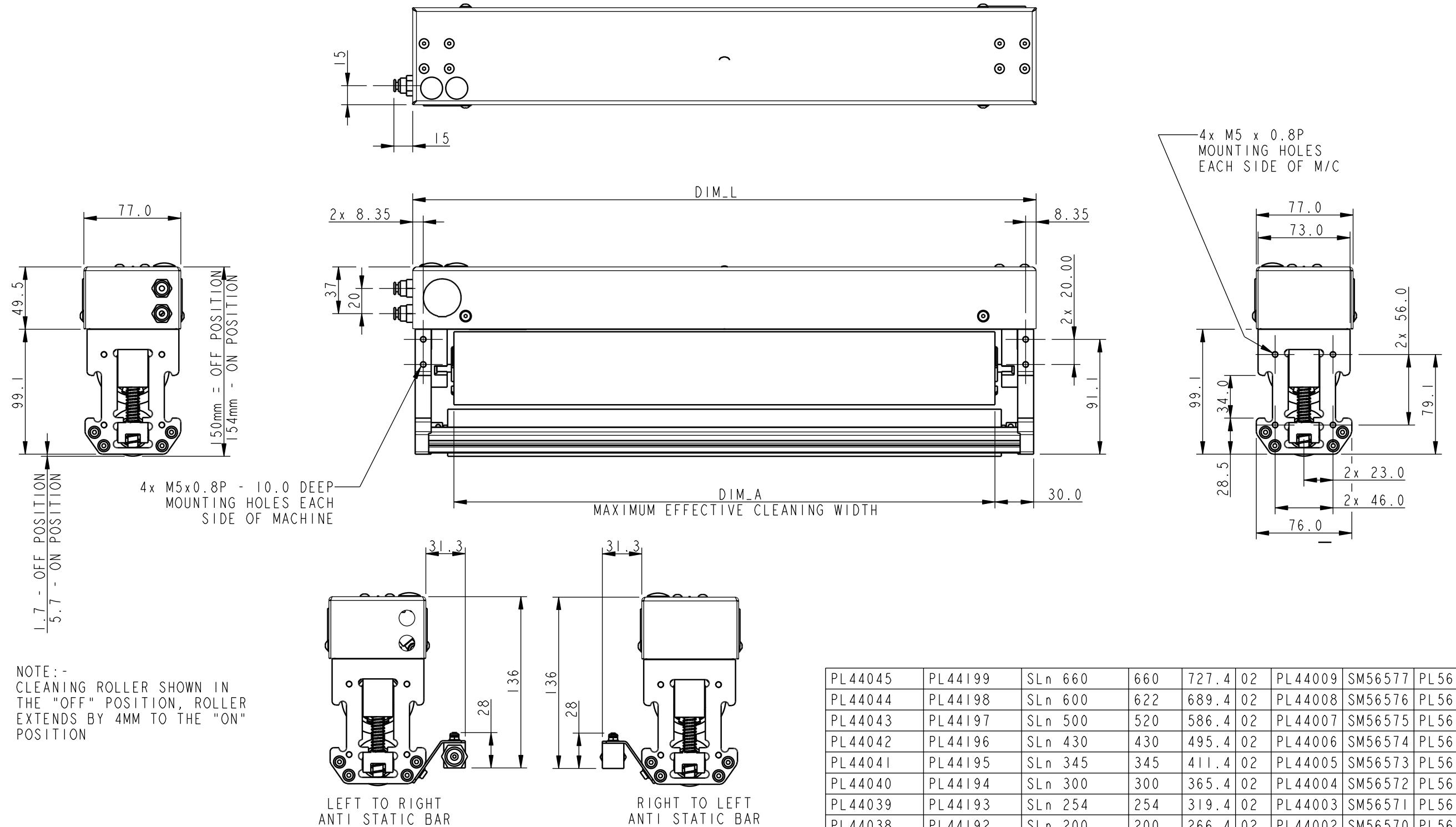


DESCRIPTION OF CHANGE	REV
RESTRICTED TO 660	02

PART No. Pi67060 Rev. 02



NOTE: -
CLEANING ROLLER SHOWN IN
THE "OFF" POSITION,
ROLLER EXTENDS BY 4MM TO THE "ON"
POSITION

PL44045	PL44199	SLn 660	660	727.4	02	PL44009	SM56577	PL56779	
PL44044	PL44198	SLn 600	622	689.4	02	PL44008	SM56576	PL56778	
PL44043	PL44197	SLn 500	520	586.4	02	PL44007	SM56575	PL56777	
PL44042	PL44196	SLn 430	430	495.4	02	PL44006	SM56574	PL56776	
PL44041	PL44195	SLn 345	345	411.4	02	PL44005	SM56573	PL56775	
PL44040	PL44194	SLn 300	300	365.4	02	PL44004	SM56572	PL56774	
PL44039	PL44193	SLn 254	254	319.4	02	PL44003	SM56571	PL56773	
PL44038	PL44192	SLn 200	200	266.4	02	PL44002	SM56570	PL56772	
PL44037	PL44191	SLn 150	150	215.4	02	PL44001	SM56569	PL56771	
		ANTISTATIC	DESCRIPTION	DIM_A	DIM_L	REV	TD44000	TD56568	TD56600

NOTES:

STD DESIGN SPEC. PI5487



DIMENSIONAL TOLERANCES UNLESS OTHERWISE STATED:

DIMENSION X. ± .50mm ANGLES X. ± 2.0°
X.X ± .25mm X.X ± 1.0°
X.XX ± .10mm X.XX ± 0.5°

© 2008 TEKNEK

ALL PRODUCTS DESIGNED, DEVELOPED AND MANUFACTURED BY TEKNEK LIMITED ARE PROTECTED BY COPYRIGHT, UNREGISTERED DESIGN RIGHT AND, WHERE APPROPRIATE, PATENT OR REGISTERED DESIGN. NO ELEMENT OF ANY PRODUCT SHOULD BE COPIED WITHOUT THE PRIOR WRITTEN PERMISSION OF TEKNEK LIMITED.

TEKNEK LIMITED
River Drive, Inchinnan
PA4 9RT, Scotland, United Kingdom
Telephone: +44 (0) 141 568 8100
E-mail: teknek@teknek.com
Web: - http://www.teknek.com



02	15.04.15	4379r01	BT
01	10/03/14	4247r01	GT
REV	DATE	ECN No.	ENG.

ENGR: G. THOMPSON

DATE: 12-05-10

MATERIAL:

PROJECT: SLn

FINISH:

TITLE: SINGLE SIDED TABULATED INFO

SCALE: 1:10

SHEET 1 OF 1

DRG SIZE: A3

PART No. Pi67060

Rev. 02