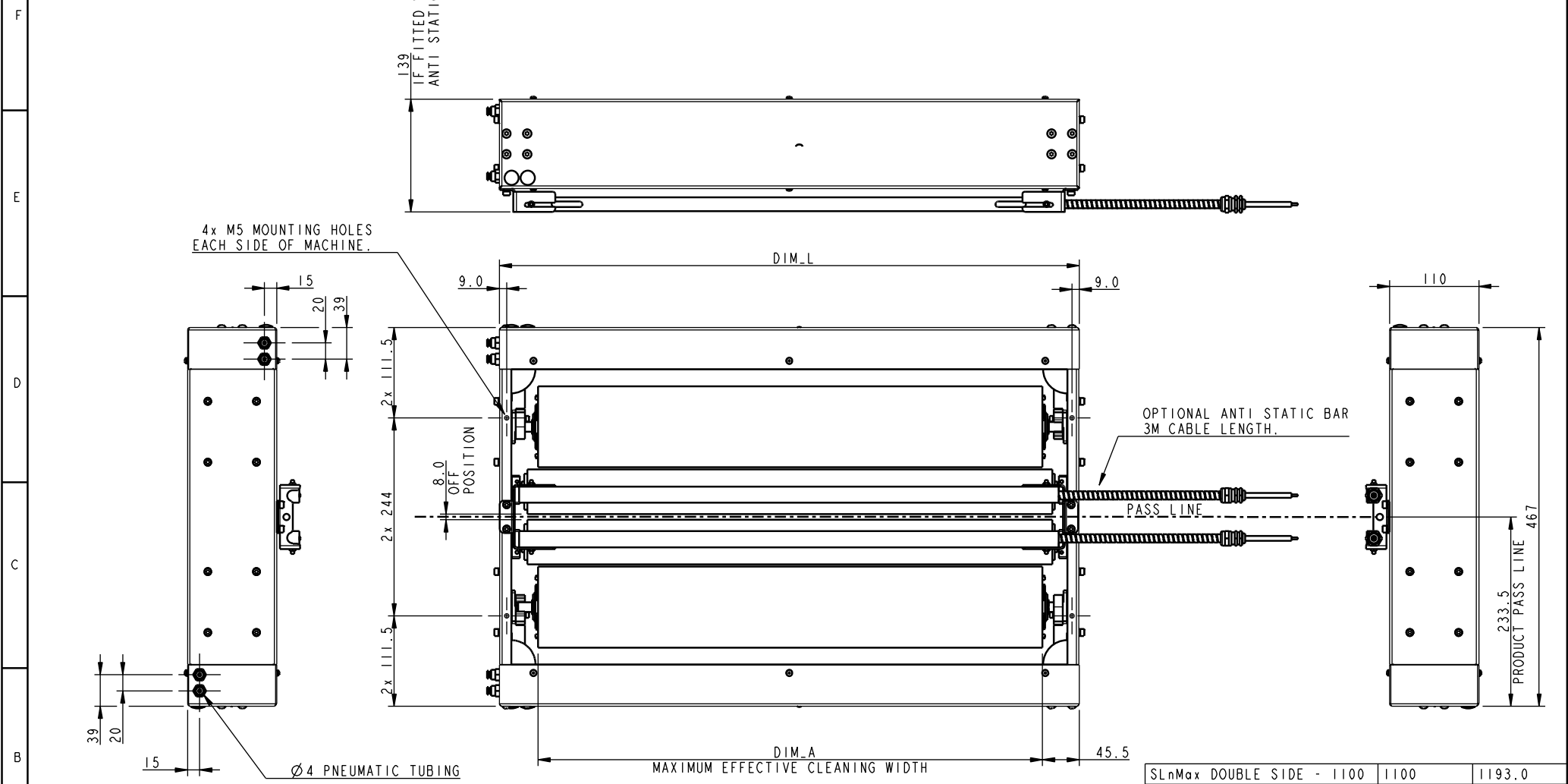


DESCRIPTION OF CHANGE	REV
INITIAL RELEASE	01

PART No. Pi66352 Rev. 01



UNIT SHOWN IN OFF POSITION

SLnMax DOUBLE SIDE - 1100	1100	1193.0
SLnMax DOUBLE SIDE - 1000	1000	1093.0
SLnMax DOUBLE SIDE - 762	762	855.0
SLnMax DOUBLE SIDE - 622	622	715.0
MACHINE	DIM_A	DIM_L

A	NOTES:				STD DESIGN SPEC. P15487		© 2014 TEKNEK ®	TEKNEK LIMITED River Drive, Inchinnan PA4 9RT, Scotland, United Kingdom Telephone: +44 (0) 141 568 8100 E-mail: teknek@teknek.com Web: - http://www.teknek.com			
					DIMENSIONAL TOLERANCES UNLESS OTHERWISE STATED: DIMENSION X. ± .50mm ANGLES X. ± 2.0° X.X ± .25mm X.X ± 1.0° X.XX ± .10mm X.XX ± 0.5°		ALL PRODUCTS DESIGNED, DEVELOPED AND MANUFACTURED BY TEKNEK LIMITED ARE PROTECTED BY COPYRIGHT, UNREGISTERED DESIGN RIGHT AND, WHERE APPROPRIATE, PATENT OR REGISTERED DESIGN. NO ELEMENT OF ANY PRODUCT SHOULD BE COPIED WITHOUT THE PRIOR WRITTEN PERMISSION OF TEKNEK LIMITED.				
					ENGR: GT	DATE: 21.01.14	MATERIAL: SEE NOTES		PROJECT: SLnMax		
	01	05.02.14	4220r06	GT			FINISH: SEE NOTES		TITLE: SLnMax DOUBLE SIDE MODULE TAB INFO		
REV	DATE	ECN No.	ENG.			SCALE: 1:1	SHEET 1 OF 1	DRG SIZE: A3	PART No. Pi66352	Rev. 01	